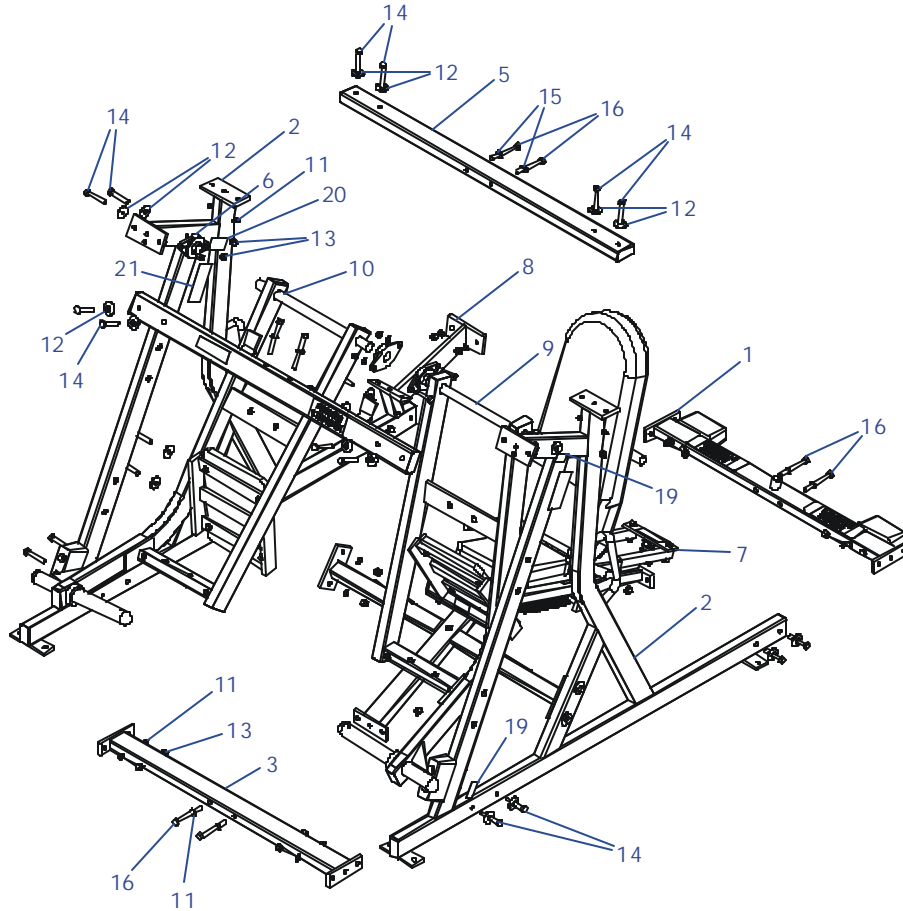




PLULP - Plate Loading Unilateral Leg Press



ITEM	QTY	PART NO	DESCRIPTION
1	1	PLULP-CBX-0	Rear cross member assembly
2	2	PLULP-CSFL-0	Side frame assembly
3	1	PLULP-CFX-0	Front cross member assembly
4	1	PLULP-CWB-0	Workbox assembly
5	1	PLULP-CWB2-0	Workbox 2 assembly
6	4	H-BEAR-LGE	1-1/4" Flange bearing
7	1	PLULP-SEAT-0	Seat assembly
8	1	PLULP-TX-0	Top frame
9	1	PLULP-CMAL-0	Left marm assembly
10	1	PLULP-CMAR-0	Right marm assembly
11	34	WASH.5STAR	1/2" Internal lock washer
12	24	H-BACK-WASH	Backing washer
13	32	NUT.5LOCK	1/2" Thick lock nut
14	24	HHB.5X3	1/2 x 3 bolt
15	4	WASH.5SAE	1/2" SAE Flat washer
16	8	HHB.5X4.5	1/2x4-1/2 bolt
17	2	HHB.5X2	1/2x2 bolt
18	2	NUT.5JAMLOCK	1/2" Thin lock nut
19	4	STAY CLEAR	Stay clear decal
20	1	PATENT	Patent decal
21	2	WARNING LARGE	Large warning